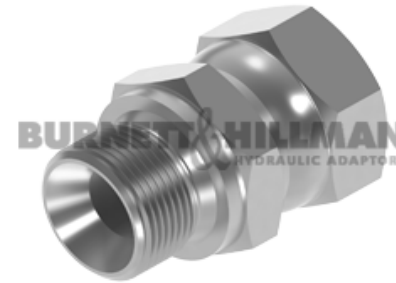
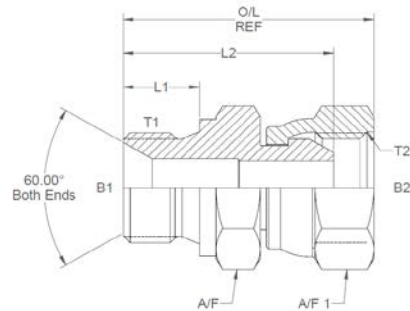


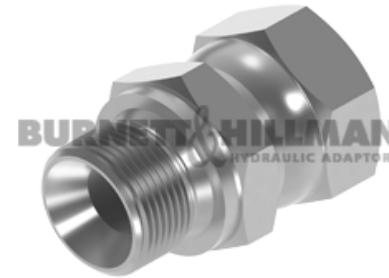
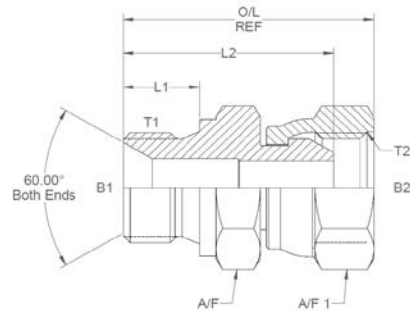
All dimensions are imperial unless stated.



	T1	T2	B1	B2	L1	L2	O/L	A/F	A/F1
61400	1/8	1/8	0.137	0.125	0.315	0.919	1.11	14mm	14mm
61401	1/8	1/4	0.137	0.172	0.315	0.979	1.226	14mm	19mm
61402	1/8	3/8	0.187	0.187	0.315	1.136	1.41	19mm	22mm
61403	1/4	1/8	0.25	0.125	0.473	1.152	1.419	19mm	14mm
61404	1/4	1/4	0.185	0.172	0.473	1.212	1.43	19mm	19mm
61405	1/4	3/8	0.185	0.271	0.473	1.341	1.6	22mm	22mm
61406	1/4	1/2	0.185	0.375	0.473	1.36	1.66	24mm	27mm
61407	1/4	3/4	0.185	0.6	0.473	1.356	1.76	30mm	32mm
61408	3/8	1/8	0.375	0.125	0.473	1.141	1.357	22mm	14mm
61409	3/8	1/4	0.312	0.172	0.473	1.201	1.45	22mm	19mm
61410	3/8	3/8	0.312	0.271	0.473	1.303	1.55	22mm	22mm
61411	3/8	1/2	0.375	0.39	0.473	1.349	1.7	22mm	27mm
61413	3/8	3/4	0.312	0.6	0.473	1.368	1.765	30mm	32mm
61414	3/8	1	0	0	0	0	0	0	0
61415	1/2	1/4	0.437	0.172	0.552	1.38	1.61	27mm	19mm
61416	1/2	3/8	0.437	0.271	0.552	1.432	1.7	27mm	22mm
61417	1/2	1/2	0.437	0.39	0.552	1.518	1.83	27mm	27mm
61419	1/2	3/4	0.437	0.6	0.552	1.47	1.87	30mm	32mm
61420	1/2	1	0.5	0.843	0.552	1.598	2.05	1.5	41mm
61427	3/4	1/4	0	0	0	0	0	0	0

DESIGN DETAILS AND SPECIFICATIONS SUBJECT TO CHANGE WITHOUT PRIOR NOTICE - Whilst every effort has been made to ensure the accuracy of the information supplied herein, Burnett & Hillman cannot be held responsible for any errors or omissions (E&OE)

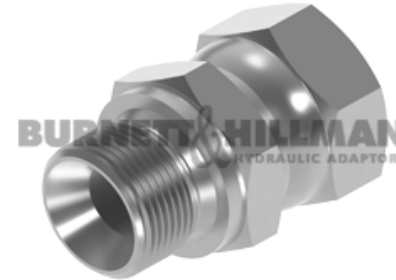
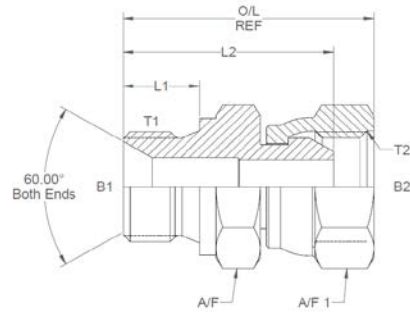
All dimensions are imperial unless stated.



	T1	T2	B1	B2	L1	L2	O/L	A/F	A/F1
61428	3/4	3/8	0.718	0.296	0.63	1.57	1.84	32mm	22mm
61429	3/4	1/2	0.718	0.39	0.63	1.586	1.88	32mm	27mm
61431	3/4	3/4	0.659	0.609	0.63	1.558	1.955	32mm	32mm
61432	3/4	1	0.659	0.797	0.63	1.635	2.08	1.5	41mm
61433	3/4	1-1/4	0.659	1.014	0.63	1.758	2.2	1.75	50mm
61434	1	1/2	0.875	0.39	0.709	1.705	2.04	41mm	27mm
61436	1	3/4	0.875	0.6	0.709	1.677	2.08	41mm	32mm
61437	1	1	0.875	0.797	0.709	1.725	2.18	41mm	41mm
61438	1	1-1/4	0.875	1.014	0.709	1.857	2.3	50mm	50mm
61439	1	1-1/2	0.875	1.312	0.709	1.987	2.5	50mm	55mm
61453	1	2	0.875	1.703	0.709	2.139	2.83	70mm	70mm
61440	1-1/4	1/2	0	0	0	0	0	0	0
61441	1-1/4	3/4	1.203	0.609	0.788	1.806	2.2	50mm	32mm
61442	1-1/4	1	1.125	0.797	0.788	1.854	2.294	50mm	41mm
61443	1-1/4	1-1/4	1.125	1.014	0.788	1.916	2.36	50mm	50mm
61444	1-1/4	1-1/2	1.125	1.201	0.788	2.056	2.57	50mm	55mm
61445	1-1/4	2	0	0	0	0	0	0	0
61446	1-1/2	1	0	0	0	0	0	0	0
61447	1-1/2	1-1/4	1.312	1.014	0.866	2.044	2.5	55mm	50mm
61448	1-1/2	1-1/2	1.312	1.312	0.866	2.184	2.7	55mm	55mm

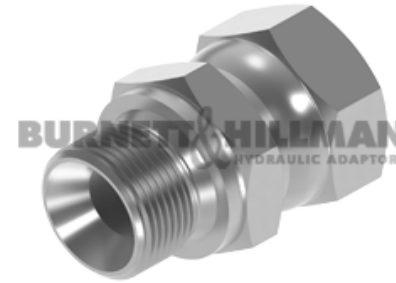
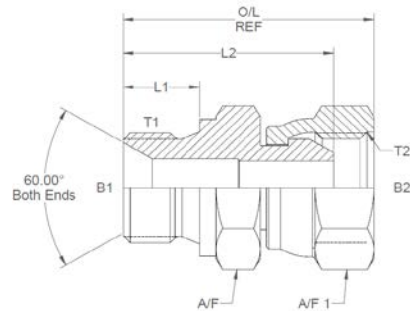
DESIGN DETAILS AND SPECIFICATIONS SUBJECT TO CHANGE WITHOUT PRIOR NOTICE - Whilst every effort has been made to ensure the accuracy of the information supplied herein, Burnett & Hillman cannot be held responsible for any errors or omissions (E&OE)

All dimensions are imperial unless stated.



	T1	T2	B1	B2	L1	L2	O/L	A/F	A/F1
61449	1-1/2	2	0	0	0	0	0	0	0
61450	2	1-1/4	0	0	0	0	0	0	0
61451	2	1-1/2	0	0	0	0	0	0	0
61452	2	2	1.812	1.703	0.945	2.445	3.13	70mm	70mm

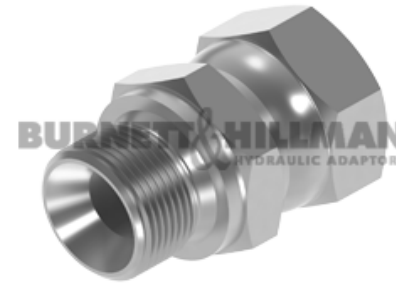
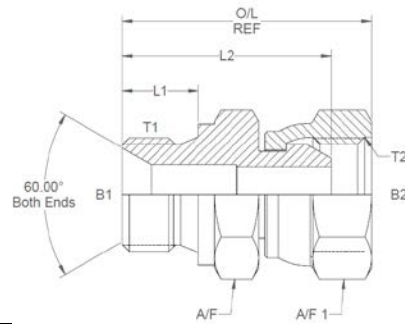
A/F dimensions are imperial unless stated.



	T1	T2	B1	B2	L1	L2	O/L	A/F	A/F1
61400	1/8	1/8	3.48	3.18	8	23.34	28.19	14mm	14mm
61401	1/8	1/4	3.48	4.37	8	24.87	31.14	14mm	19mm
61402	1/8	3/8	4.75	4.75	8	28.85	35.81	19mm	22mm
61403	1/4	1/8	6.35	3.18	12.01	29.26	36.04	19mm	14mm
61404	1/4	1/4	4.7	4.37	12.01	30.78	36.32	19mm	19mm
61405	1/4	3/8	4.7	6.88	12.01	34.06	40.64	22mm	22mm
61406	1/4	1/2	4.7	9.53	12.01	34.54	42.16	24mm	27mm
61407	1/4	3/4	4.7	15.24	12.01	34.44	44.7	30mm	32mm
61408	3/8	1/8	9.53	3.18	12.01	28.98	34.47	22mm	14mm
61409	3/8	1/4	7.92	4.37	12.01	30.51	36.83	22mm	19mm
61410	3/8	3/8	7.92	6.88	12.01	33.1	39.37	22mm	22mm
61411	3/8	1/2	9.53	9.91	12.01	34.26	43.18	22mm	27mm
61413	3/8	3/4	7.92	15.24	12.01	34.75	44.83	30mm	32mm
61414	3/8	1	0	0	0	0	0	0	0
61415	1/2	1/4	11.1	4.37	14.02	35.05	40.89	27mm	19mm
61416	1/2	3/8	11.1	6.88	14.02	36.37	43.18	27mm	22mm
61417	1/2	1/2	11.1	9.91	14.02	38.56	46.48	27mm	27mm
61419	1/2	3/4	11.1	15.24	14.02	37.34	47.5	30mm	32mm
61420	1/2	1	12.7	21.41	14.02	40.59	52.07	1.5	41mm
61427	3/4	1/4	0	0	0	0	0	0	0

DESIGN DETAILS AND SPECIFICATIONS SUBJECT TO CHANGE WITHOUT PRIOR NOTICE - Whilst every effort has been made to ensure the accuracy of the information supplied herein, Burnett & Hillman cannot be held responsible for any errors or omissions (E&OE)

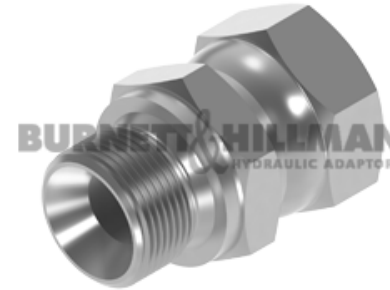
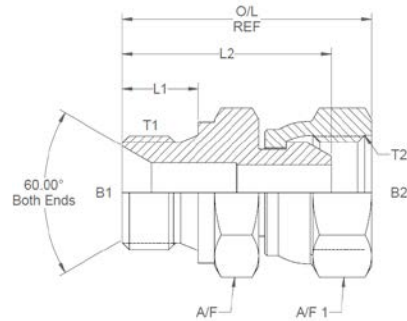
A/F dimensions are imperial unless stated.



	T1	T2	B1	B2	L1	L2	O/L	A/F	A/F1
61428	3/4	3/8	18.24	7.52	16	39.88	46.74	32mm	22mm
61429	3/4	1/2	18.24	9.91	16	40.28	47.75	32mm	27mm
61431	3/4	3/4	16.74	15.47	16	39.57	49.66	32mm	32mm
61432	3/4	1	16.74	20.24	16	41.53	52.83	1.5	41mm
61433	3/4	1-1/4	16.74	25.76	16	44.65	55.88	1.75	50mm
61434	1	1/2	22.23	9.91	18.01	43.31	51.82	41mm	27mm
61436	1	3/4	22.23	15.24	18.01	42.6	52.83	41mm	32mm
61437	1	1	22.23	20.24	18.01	43.82	55.37	41mm	41mm
61438	1	1-1/4	22.23	25.76	18.01	47.17	58.42	50mm	50mm
61439	1	1-1/2	22.23	33.32	18.01	50.47	63.5	50mm	55mm
61453	1	2	22.23	43.26	18.01	54.33	71.88	70mm	70mm
61440	1-1/4	1/2	0	0	0	0	0	0	0
61441	1-1/4	3/4	30.56	15.47	20.02	45.87	55.88	50mm	32mm
61442	1-1/4	1	28.58	20.24	20.02	47.09	58.27	50mm	41mm
61443	1-1/4	1-1/4	28.58	25.76	20.02	48.67	59.94	50mm	50mm
61444	1-1/4	1-1/2	28.58	30.51	20.02	52.22	65.28	50mm	55mm
61445	1-1/4	2	0	0	0	0	0	0	0
61446	1-1/2	1	0	0	0	0	0	0	0
61447	1-1/2	1-1/4	33.32	25.76	22	51.92	63.5	55mm	50mm
61448	1-1/2	1-1/2	33.32	33.32	22	55.47	68.58	55mm	55mm

DESIGN DETAILS AND SPECIFICATIONS SUBJECT TO CHANGE WITHOUT PRIOR NOTICE - Whilst every effort has been made to ensure the accuracy of the information supplied herein, Burnett & Hillman cannot be held responsible for any errors or omissions (E&OE)

A/F dimensions are imperial unless stated.



	T1	T2	B1	B2	L1	L2	O/L	A/F	A/F1
61449	1-1/2	2	0	0	0	0	0	0	0
61450	2	1-1/4	0	0	0	0	0	0	0
61451	2	1-1/2	0	0	0	0	0	0	0
61452	2	2	46.02	43.26	24	62.1	79.5	70mm	70mm