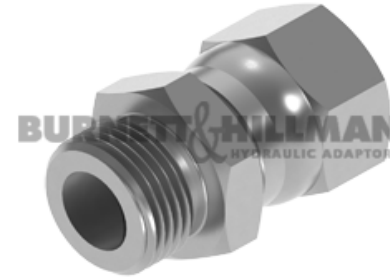
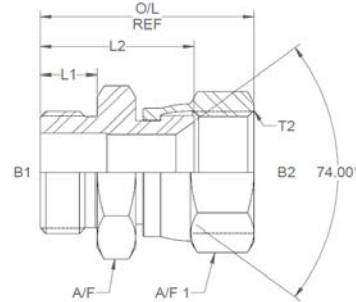
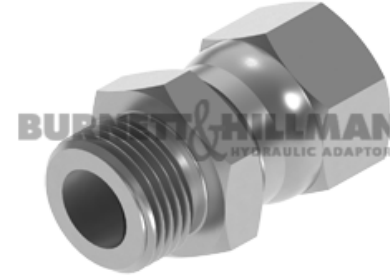
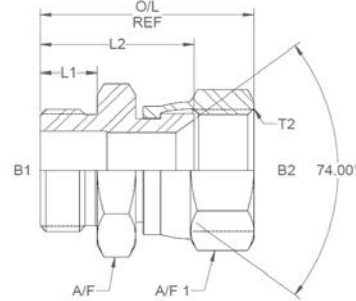


All dimensions are imperial unless stated.



	T1	T2	B1	B2	L1	L2	O/L	A/F	A/F1
11685	3/4	3/4	0.391	0.391	0.438	1.2	1.63	0.812	0.875
11693	1-5/16	1-5/16	0.844	0.844	0.594	1.7	2.28	1.5	1.5

A/F dimensions are imperial unless stated.



	T1	T2	B1	B2	L1	L2	O/L	A/F	A/F1
11685	3/4	3/4	9.93	9.93	11.13	30.48	41.4	0.812	0.875
11693	1-5/16	1-5/16	21.44	21.44	15.09	43.18	57.91	1.5	1.5