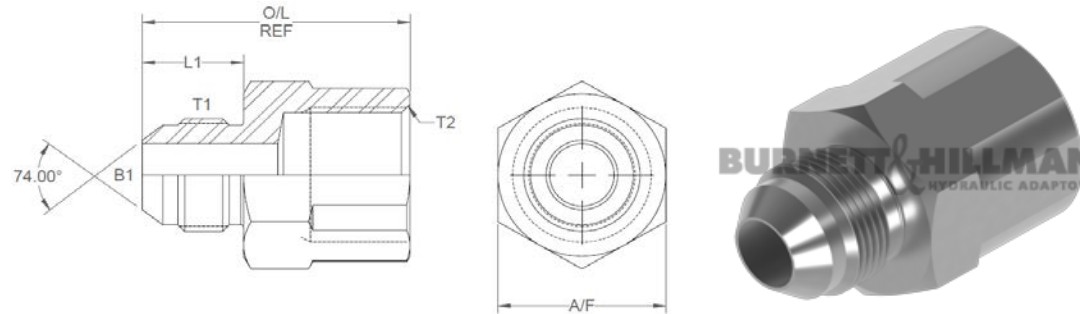


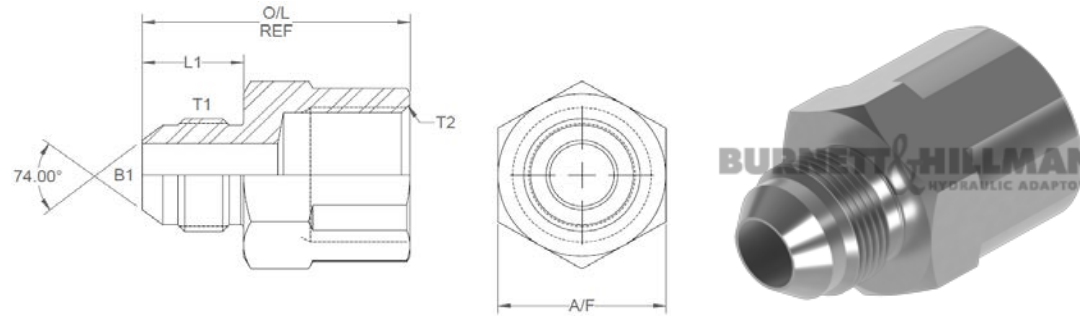
All dimensions are imperial unless stated.



	T1	T2	B1	L1	O/L	A/F
17004	7/16	1/8	0.172	0.55	1.18	14mm
17001	7/16	1/4	0.172	0.55	1.36	19mm
17002	7/16	3/8	0.172	0.55	1.59	22mm
17000	9/16	1/4	0.297	0.556	1.366	19mm
17010	9/16	3/8	0.297	0.556	1.466	22mm
17012	9/16	1/2	0.297	0.556	1.63	27mm
17003	3/4	3/8	0.391	0.657	1.55	22mm
17005	3/4	1/2	0.391	0.657	1.737	27mm
17013	3/4	5/8	0.391	0.657	1.977	30mm
17014	3/4	3/4	0.391	0.657	2.02	32mm
17009	7/8	1/2	0.484	0.758	1.838	27mm
17015	7/8	5/8	0.484	0.758	2.058	30mm
17016	7/8	3/4	0.484	0.758	2.008	32mm
17007	1-1/16	1/2	0.609	0.864	2.004	1.125
17008	1-1/16	3/4	0.609	0.864	2.22	32mm
17017	1-1/16	1	0.609	0.864	2.314	41mm
17006	1-5/16	1	0.844	0.911	2.361	41mm
17018	1-5/8	1-1/4	1.078	0.958	2.578	50mm
17019	1-7/8	1-1/2	1.312	1.083	2.7	55mm
17020	2-1/2	2	1.781	1.333	3.075	70mm

DESIGN DETAILS AND SPECIFICATIONS SUBJECT TO CHANGE WITHOUT PRIOR NOTICE - Whilst every effort has been made to ensure the accuracy of the information supplied herein, Burnett & Hillman cannot be held responsible for any errors or omissions (E&OE)

A/F dimensions are imperial unless stated.



	T1	T2	B1	L1	O/L	A/F
17004	7/16	1/8	4.37	13.97	29.97	14mm
17001	7/16	1/4	4.37	13.97	34.54	19mm
17002	7/16	3/8	4.37	13.97	40.39	22mm
17000	9/16	1/4	7.54	14.12	34.7	19mm
17010	9/16	3/8	7.54	14.12	37.24	22mm
17012	9/16	1/2	7.54	14.12	41.4	27mm
17003	3/4	3/8	9.93	16.69	39.37	22mm
17005	3/4	1/2	9.93	16.69	44.12	27mm
17013	3/4	5/8	9.93	16.69	50.22	30mm
17014	3/4	3/4	9.93	16.69	51.31	32mm
17009	7/8	1/2	12.29	19.25	46.69	27mm
17015	7/8	5/8	12.29	19.25	52.27	30mm
17016	7/8	3/4	12.29	19.25	51	32mm
17007	1-1/16	1/2	15.47	21.95	50.9	1.125
17008	1-1/16	3/4	15.47	21.95	56.39	32mm
17017	1-1/16	1	15.47	21.95	58.78	41mm
17006	1-5/16	1	21.44	23.14	59.97	41mm
17018	1-5/8	1-1/4	27.38	24.33	65.48	50mm
17019	1-7/8	1-1/2	33.32	27.51	68.58	55mm
17020	2-1/2	2	45.24	33.86	78.11	70mm

DESIGN DETAILS AND SPECIFICATIONS SUBJECT TO CHANGE WITHOUT PRIOR NOTICE - Whilst every effort has been made to ensure the accuracy of the information supplied herein, Burnett & Hillman cannot be held responsible for any errors or omissions (E&OE)