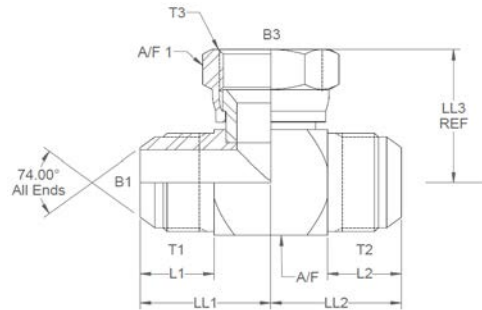
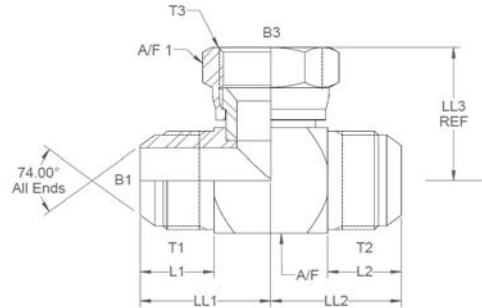


All dimensions are imperial unless stated.



	T1	T2	T3	B1	B3	L1	L2	LL1	LL2	LL3	A/F	A/F1
02053	7/16	7/16	7/16	0.173	0.173	0.535	0.535	0.89	0.89	1	0.438	0.562
02056	1/2	1/2	1/2	0.234	0.203	0.64	0.64	0.965	0.965	1.03	0.625	0.625
02050	9/16	9/16	9/16	0.297	0.297	0.541	0.541	1.06	1.06	1.25	0.562	0.687
02051	3/4	3/4	3/4	0.391	0.391	0.642	0.642	1.25	1.25	1.38	0.75	0.875
02052	7/8	7/8	7/8	0.484	0.5	0.875	0.875	1.437	1.437	1.58	1	1
02054	1-1/16	1-1/6	1-1/16	0.609	0.609	0.849	0.849	1.66	1.66	1.75	1.062	1.25
02055	1-5/16	1-5/16	1-5/16	0.844	0.812	1.125	1.125	1.837	1.837	1.9	1.375	1.5
02048	1-5/8	1-5/8	1-5/8	1.078	1.075	1.175	1.175	2.075	2.075	2.18	1.75	50mm
02040	1-7/8	1-7/8	1-7/8	1.312	1.25	1.2	1.2	2.262	2.262	2.42	2	55mm
02041	2-1/2	2-1/2	2-1/2	1.781	1.75	1.55	1.55	3.175	3.175	3.18	2.75	70mm

A/F dimensions are imperial unless stated.



	T1	T2	T3	B1	B3	L1	L2	LL1	LL2	LL3	A/F	A/F1
02053	7/16	7/16	7/16	0.173	0.173	0.535	0.535	0.89	0.89	1	0.438	0.562
02056	1/2	1/2	1/2	0.234	0.203	0.64	0.64	0.965	0.965	1.03	0.625	0.625
02050	9/16	9/16	9/16	0.297	0.297	0.541	0.541	1.06	1.06	1.25	0.562	0.687
02051	3/4	3/4	3/4	0.391	0.391	0.642	0.642	1.25	1.25	1.38	0.75	0.875
02052	7/8	7/8	7/8	0.484	0.5	0.875	0.875	1.437	1.437	1.58	1	1
02054	1-1/16	1-1/6	1-1/16	0.609	0.609	0.849	0.849	1.66	1.66	1.75	1.062	1.25
02055	1-5/16	1-5/16	1-5/16	0.844	0.812	1.125	1.125	1.837	1.837	1.9	1.375	1.5
02048	1-5/8	1-5/8	1-5/8	1.078	1.075	1.175	1.175	2.075	2.075	2.18	1.75	50mm
02040	1-7/8	1-7/8	1-7/8	1.312	1.25	1.2	1.2	2.262	2.262	2.42	2	55mm
02041	2-1/2	2-1/2	2-1/2	1.781	1.75	1.55	1.55	3.175	3.175	3.18	2.75	70mm