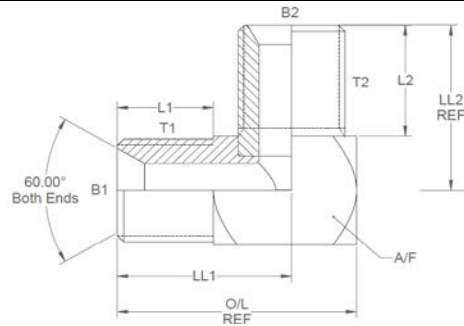
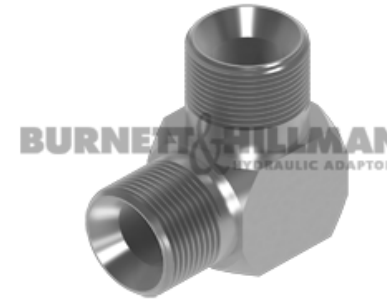
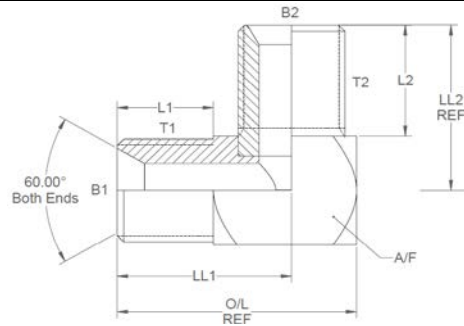


All dimensions are imperial unless stated.



	T1	T2	B1	B2	L1	L2	O/L	LL1	LL2	A/F
03051	1/4	1/4	0.185	0.185	0.565	0.68	1.335	0.95	0.992	0.625
03052	3/8	1/4	0.312	0.185	0.6	0.68	1.52	1.135	1.055	0.75
03053	3/8	3/8	0.312	0.312	0.6	0.855	1.52	1.06	1.23	0.75
03061	1/2	3/8	0.437	0.312	0.74	0.855	1.84	1.329	1.292	0.875
03054	1/2	1/2	0.437	0.437	0.74	0.885	1.84	1.329	1.322	0.875
03062	3/4	1/2	0.625	0.437	0.82	0.885	2.06	1.44	1.447	1.125
03055	5/8	5/8	0	0	0	0	0	0	0	0
03056	3/4	3/4	0.625	0.625	0.82	0.96	2.06	1.44	1.522	1.125
03057	1	1	0.812	0.812	1.05	1.145	2.475	1.762	1.832	1.375
03059	1-1/2	1-1/2	1.312	1.312	1.4	1.415	3.45	2.42	2.415	2
03060	2	2	1.75	1.75	1.5	1.55	4.25	2.875	2.8	2.5

A/F dimensions are imperial unless stated.



	T1	T2	B1	B2	L1	L2	O/L	LL1	LL2	A/F
03051	1/4	1/4	4.7	4.7	14.35	17.27	33.91	24.13	25.2	0.625
03052	3/8	1/4	7.92	4.7	15.24	17.27	38.61	28.83	26.8	0.75
03053	3/8	3/8	7.92	7.92	15.24	21.72	38.61	26.92	31.24	0.75
03061	1/2	3/8	11.1	7.92	18.8	21.72	46.74	33.76	32.82	0.875
03054	1/2	1/2	11.1	11.1	18.8	22.48	46.74	33.76	33.58	0.875
03062	3/4	1/2	15.88	11.1	20.83	22.48	52.32	36.58	36.75	1.125
03055	5/8	5/8	0	0	0	0	0	0	0	0
03056	3/4	3/4	15.88	15.88	20.83	24.38	52.32	36.58	38.66	1.125
03057	1	1	20.62	20.62	26.67	29.08	62.87	44.75	46.53	1.375
03059	1-1/2	1-1/2	33.32	33.32	35.56	35.94	87.63	61.47	61.34	2
03060	2	2	44.45	44.45	38.1	39.37	107.95	73.03	71.12	2.5