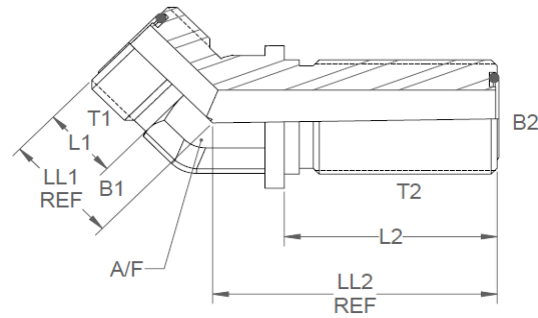
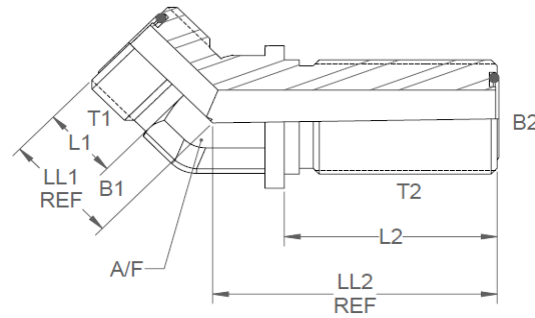


All dimensions are imperial unless stated.



	T1	T2	B1	B2	L1	L2	LL1	LL2	A/F
9375-04	9/16	9/16	0.172	0.172	0.35	1.24	0.63	1.73	0.562
9375-06	11/16	11/16	0.264	0.264	0.41	1.34	0.74	1.91	0.75
9375-08	13/16	13/16	0.378	0.378	0.47	1.44	0.8	2.01	0.75
9375-10	1	1	0.484	0.484	0.55	1.6	0.92	2.23	1.062
9375-12	1-3/16	1-3/16	0.609	0.609	0.59	1.64	1.02	2.39	1.188
9375-16	1-7/16	1-7/16	0.811	0.811	0.61	1.66	1.18	2.57	1.3316

A/F dimensions are imperial unless stated.



	T1	T2	B1	B2	L1	L2	LL1	LL2	A/F
9375-04	9/16	9/16	4.37	4.37	8.89	31.5	16	43.94	0.562
9375-06	11/16	11/16	6.71	6.71	10.41	34.04	18.8	48.51	0.75
9375-08	13/16	13/16	9.6	9.6	11.94	36.58	20.32	51.05	0.75
9375-10	1	1	12.29	12.29	13.97	40.64	23.37	56.64	1.062
9375-12	1-3/16	1-3/16	15.47	15.47	14.99	41.66	25.91	60.71	1.188
9375-16	1-7/16	1-7/16	20.6	20.6	15.49	42.16	29.97	65.28	1.3316